



- Direct replacement of leading brands
- Separated combustion available for aggressive environment
- Stainless Steel cabinet, gives extra durability and the best look (Aluminized Steel option)
- Easy Installation
- Axial propeller fan
- Aluminized Steel 18-gauge heat exchanger (Stainless Steel option)
- Redundant safety temperature switches
- 100% factory tested
- Exceed CSA regulations
- Industry standard components
- Three position air louvers for easy setup

Performance Data

Model	UH100	UH125	UH150	UH200	UH250	UH300	UH400
Input (1)	100,000 BTU/Hr (29.3 kW)	125,000 BTU/Hr (36.6 kW)	150,000 BTU/Hr (44 kW)	200,000 BTU/Hr (58.6 kW)	250,000 BTU/Hr (73.3 kW)	300,000 BTU/Hr (87.9 kW)	400,000 BTU/Hr (117.2 kW)
Output (1)	82,000 BTU/Hr (24 kW)	102,500 BTU/Hr (30 kW)	123,000 BTU/Hr (36 kW)	164,000 BTU/Hr (48.1 kW)	205,000 BTU/Hr (60.1 kW)	246,000 BTU/Hr (72.1 kW)	328,000 BTU/Hr (96.1 kW)
Efficiency %	82%	82%	82%	82%	82%	82%	82%
V/H Phase	115/1	115/1	115/1	115/1	115/1	115/1	115/1
Motor HP	1/8	1/8	1/6	1/3	1/3	1/2	3/4
Motor RPM	1,440	1,440	1,050	1,140	1,140	1,130	1,125
Airflow	1,490 cfm (42 cmm)	1,490 cfm (42 cmm)	2,140 cfm (61 cmm)	2,870 cfm (81 cmm)	3,995 cfm (113 cmm)	4,545 cfm (129 cmm)	5,995 cfm (170 cmm)
Air Temperature Rise	50 °F (28 °C)	47 °F (26 °C)	53 °F (29 °C)	52 °F (29 °C)	47 °F (26 °C)	50 °F (28 °C)	51 °F (28 °C)
Mounting Height maximum	12 ft (3.6 m)	16 ft (4.8 m)	15 ft (4.5 m)	15 ft (4.5 m)	18 ft (5.5 m)	19 ft (5.8 m)	21 ft (6.4 m)
Approx. Shipping Weight	125 lb (57 kg)	125 lb (57 kg)	165 lb (75 kg)	220 lb (100 kg)	265 lb (120 kg)	270 lb (123 kg)	320 lb (145 kg)

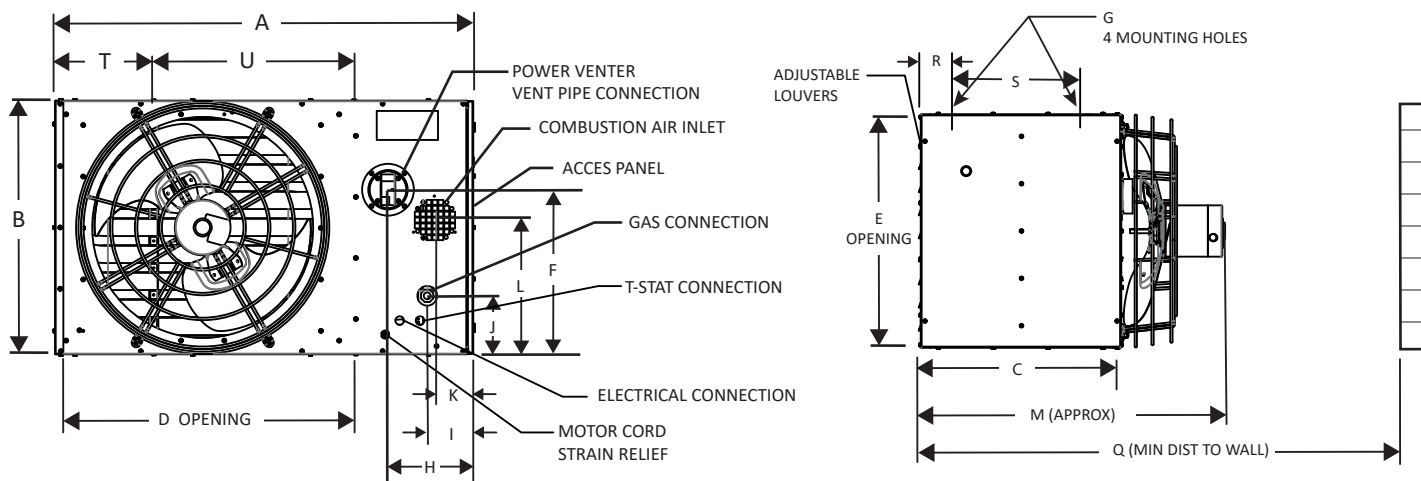
1. Ratings shown for elevation of 2,000' above sea level and below. For applications above 2,000' above sea level a 4% reduction must be applied for each 1,000' of elevation.

Options:

- Separated Combustion
- Stainless Steel Heat Exchanger
- Propane conversion kit.

UNIT HEATERS

General dimensions



Model	UH100	UH125	UH150	UH200	UH250	UH300	UH400
A	35.7" (907 mm)	35.7" (907 mm)	35.7" (907 mm)	42.5" (1080 mm)	42.5" (1080 mm)	42.5" (1080 mm)	42.5" (1080 mm)
B	20.4" (518 mm)	20.4" (518 mm)	23.2" (589 mm)	25.9" (658 mm)	31.4" (798 mm)	31.4" (798 mm)	39.6" (1006 mm)
C	22.2" (564 mm)	22.2" (564 mm)	22.2" (564 mm)	22.2" (564 mm)	22.2" (564 mm)	22.2" (564 mm)	22.2" (564 mm)
D	22.6" (574 mm)	22.6" (574 mm)	22.6" (574 mm)	29.4" (747 mm)	29.4" (747 mm)	29.4" (747 mm)	29.4" (747 mm)
E	18.4" (467 mm)	18.4" (467 mm)	21.1" (536 mm)	23.9" (607 mm)	29.4" (747 mm)	29.4" (747 mm)	37.6" (955 mm)
F	14.3" (363 mm)	14.3" (363 mm)	15.4" (391 mm)	16.8" (427 mm)	19.6" (498 mm)	19.6" (498 mm)	23.5" (597 mm)
G (Mounting Hole) ²	3/8 - 16	3/8 - 16	3/8 - 16	3/8 - 16	3/8 - 16	3/8 - 16	3/8 - 16
H	8.8" (224 mm)	8.8" (224 mm)	8.7" (221 mm)	8.8" (224 mm)	8.7" (221 mm)	8.7" (221 mm)	8.7" (221 mm)
I	4.7" (119 mm)	4.7" (119 mm)	4.7" (119 mm)	4.7" (119 mm)	4.5" (114 mm)	4.5" (114 mm)	4.4" (112 mm)
J	7.2" (183 mm)	7.2" (183 mm)	6.6" (168 mm)	6.6" (168 mm)	6.8" (173 mm)	6.8" (173 mm)	6.8" (173 mm)
K	4.1" (104 mm)	4.1" (104 mm)	4.1" (104 mm)	3.9" (99 mm)	5.4" (137 mm)	5.4" (137 mm)	5.5" (140 mm)
L	10.7" (272 mm)	10.7" (272 mm)	11.8" (300 mm)	13.7" (348 mm)	12.8" (325 mm)	12.8" (325 mm)	16.9" (429 mm)
M	34" (864 mm)	34" (864 mm)	32.8" (833 mm)	33.6" (853 mm)	34.8" (884 mm)	34.8" (884 mm)	36.5" (927 mm)
Q	43" (1092 mm)	43" (1092 mm)	43.8" (1113 mm)	46.4" (1179 mm)	45.8" (1163 mm)	45.8" (1163 mm)	46.8" (1189 mm)
R	3.6" (91 mm)	3.6" (91 mm)	3.6" (91 mm)	3.6" (91 mm)	3.6" (91 mm)	3.6" (91 mm)	3.6" (91 mm)
S	15" (381 mm)	15" (381 mm)	15" (381 mm)	15" (381 mm)	15" (381 mm)	15" (381 mm)	15" (381 mm)
T	10" (254 mm)	10" (254 mm)	10" (254 mm)	10" (254 mm)	10" (254 mm)	10" (254 mm)	10" (254 mm)
Gas Connection	1/2"	1/2"	1/2"	1/2"	3/4"	3/4"	3/4"
Vent Connector Size	4" (102 mm)	4" (102 mm)	4" (102 mm)	4" (102 mm)	6" (152 mm)	6" (152 mm)	6" (152 mm)
Fan Diameter	18" (457 mm)	18" (457 mm)	20" (508 mm)	22" (559 mm)	22" (559 mm)	22" (559 mm)	24" (610 mm)

2. Rod diameter and threads